

**SPECIFICATIONS and NOTES**

- Halifax BRPH448 Type 1, 4'w x 48"d x 24"h Commercial Kitchen Hood System with BPR Make-Up-Air and Ansul Automatic Fire Suppression System.  
 TYPE - Type 1  
 STYLE - BRP Make-Up Air  
 Exhaust Air Flow - NAKS Type 20D Direct Drive Exhaust Fan - 800CFM  
 Supply Air Flow - NAKS Type SF5 Belt Drive Make-Up Air Fan - 1000CFM  
 MAX Surface Operating Temperature - 700F  
 Construction - 18 Gauge, 430 Stainless Steel  
 Fire Suppression System - ANSUL Model R102 wet chemical.  
 UL300 Standards compliant

Installation Of Halifax BRP Makeup Air Commercial Kitchen Hood Shall be performed by Licensed Commercial Installer in Accordance with Halifax INSTALLATION,OPERATION, and MAINTENANCE MANUAL Supplied with Hood System.

Installation of ANSUL Model #R102 shall be performed by Licenced Commercial Fire Suppression Installation Contractor. Fire Suppression System shall be Certified as Code Compliant and Functional.

System Air Flow Balance Check to be performed in accordance with IMC Section 507.16.1 The test will verify Exhaust air flow in accordance with IMC Section 507.13 and Supply air flow in accordance with IMC 508.

- Vulcan Commercial Gas Range, Model 36C-6BN. 36"w x 41"d x 58"h. Install per ANS2223.1A, National Fuel Gas Code. NSF Compliant. Maximum Natural Gas Service Load 215000 BTU.
- Eurodib Lamber Model F92EKDPS Commercial Dishwasher Stainless Steel AISI 304 18/10: 208-240Vac single phase Certified UL, UL Sanitation. 23.62"w x 25.59"d x 32.28"h.

Installation Shall be performed in Accordance with NMAC 14.8.2.16. Pots, Sinks, Dishwashing Sinks, Silverware Sinks Commercial Dishwashing Machines and other similar fixtures shall not be connected directly to the Drainage System. Such Equipment or fixtures shall be drained by means of Indirect Waste Pipes, as defined in Chapter 2 of the UPC, and all wastes drained by them shall discharge through an airgap into an open floor sink or other approved receptor that is properly connected to the drainage system.

The EuroDib Lamber Model#F92EKDPS is a self contained Commercial Dishwasher, utilized as Stand Alone or as Under Counter installation. A Type 2 Hood is not required for this unit and installation.

- SAUBER #PA0026 Commercial Stainless Steel Three Compartment Sink. Each Compartment 18"w x 18"d x 14"h. Overall 59"w x 23-1/2"d x 43-3/4"h. NSF Approved Installation shall conform to Installation Instructions of NMAC 14.8.2.16 per Note #3
- Regency #600S1181818LFT Commercial Stainless Steel One Compartment Sink with Left DrainBoard. 38.5"w x 23.5"d x 43.75"h. Bowl 18"w x 18"d x 14"h. NSF Approved. With Insinkerator #LC-50 Light Duty Commercial Disposer.

Commercial Food Disposer shall be installed in Accordance with NMAC 14.8.2.16A. Food waste disposal units shall be connected directly to the drainage system. A floor drain shall be provided adjacent to the disposal unit, and the disposal unit shall be connected to the sewer side of the floor drain trap, provided that no other drainage line is connected between the floor drain waste connection and the disposal unit drain. The floor drain shall be trapped and ventd as required in this code.

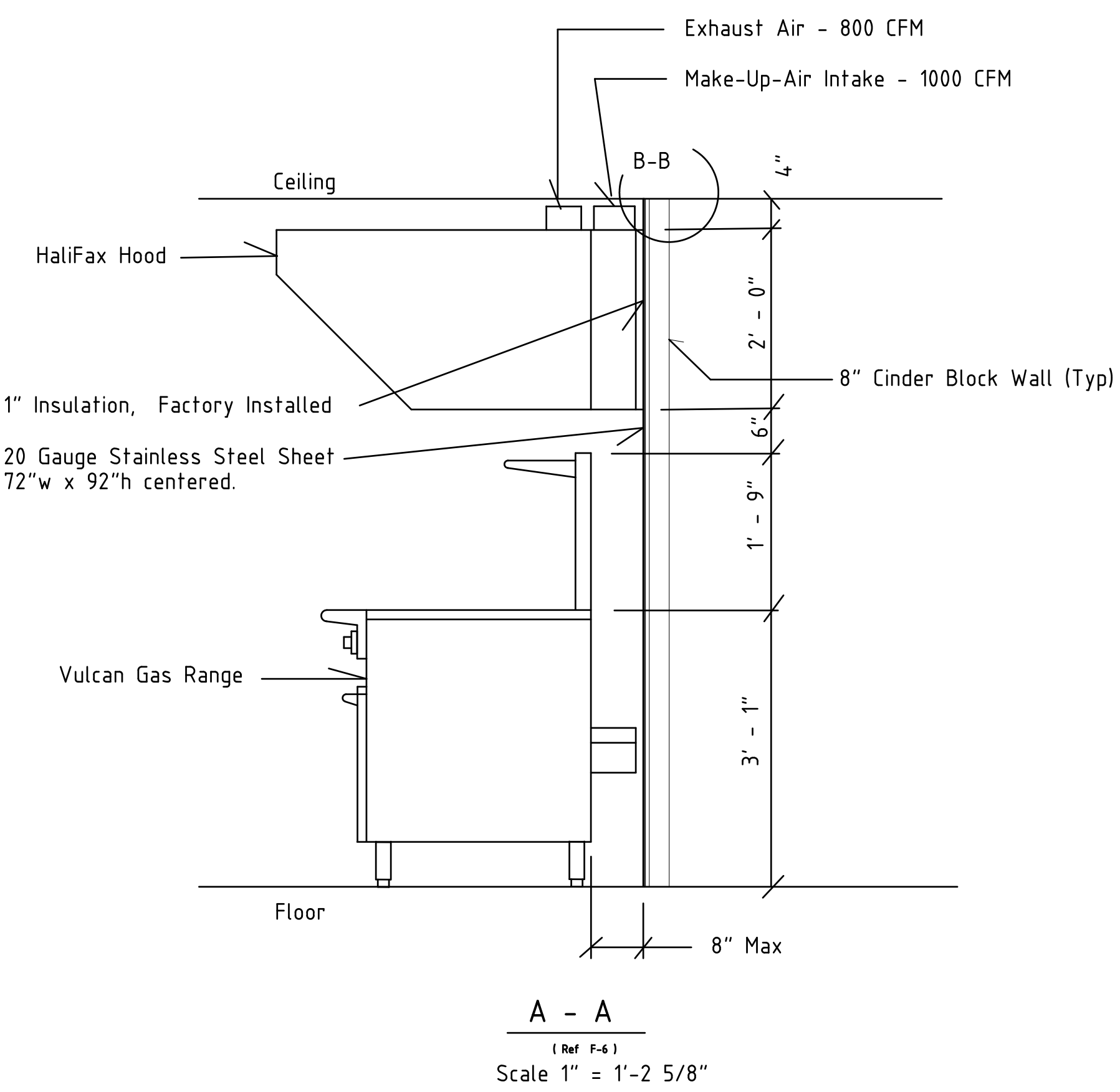
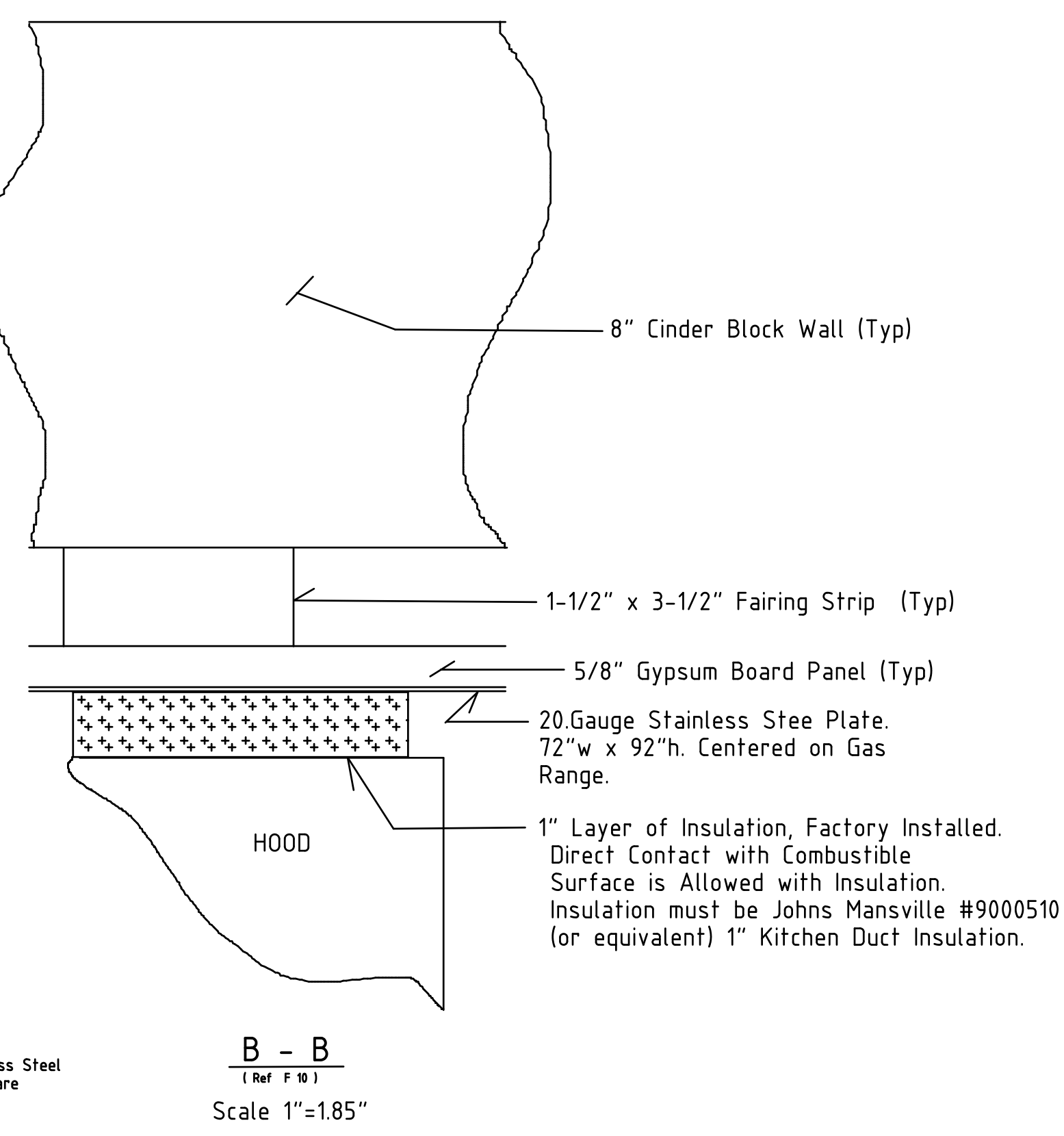
- AXEON #L1-200 Reverse Omosis System for Light Commercial applicaton. 9"L x 20"w x 19"h With R0mate #R020 R.O. Storage Tank 20 Gal. Composite 16.5"d x 32.25"h.
- Eurodib Model CFD-1FF Single Solid Door Reach-In Commercial Freezer. 430 Stainless Steel interior and exterior walls. 29"w x 32.2"d x 82.5"h. Service with Hydro-Carbon refrigerant R290.
- Eurodib Model #CFD-2RR 2 Solid Door Reach-In Commercial Refrigerator. 430 Stainless Steel interior and exterior walls. 54"w x 32.2"d x 82.5"h. Service with Hydro-Carbon R290 refrigerant.
- Scotsman model CU0415 50 lb Self Contained Commercial Ice Mahine. 15"w x 24"d x 38"h. Meets US Safe Drinking Act low lead requirements

- All Work Shall Be Performed By Licenced Contractor And Meet Current Building And ADA Codes.
- Contractor To Verify Existing Site Conditions And Report Any Discrepancies Between The Drawings and Site Conditions To The Architech To Determine The Best Course Of Action. Any Work By The Contractor After Discrepancies Are Discovered Shall Be Done At Contractors Risk.
- Occupant Loads Listed Were Determined By Local Building Officials.
- Exit Sign Number And Location Were Inspected By Local Building Officials.
- All Structural Items Shall Be Engineered According To Local Building Codes And Conditions.
- Wall Mounted Fire Extinguishers Shall Be Installed Per Current IBC.



GRAYSON HARRIST  
 Architech - Contractor  
 806 - 543 - 7246

Designed: SM	Date: 1/4/21	Scale: 1/4" = 1'-0"	Sheet: 8-10	Drawing No: -	Customer/Project: HMYP ReModel
KITCHEN FLOORPLAN and LAYOUT			High Mountain Youth Project 637 SUDDERETH		
Revision records					
Release	BY	DATE			
DISCUSSION	BY	DATE			



KITCHEN FLOORPLAN  
 SCALE 1/4" = 1'-0"  
 637 SUDDERETH

